



TAO Light

Bill Acceptor
Installation Guide



Contents

- 1. Introduction.....1
 - 1-1. Overview.....1
 - 1-2. Features.....1
- 2. Specifications.....1
 - Common.....1
 - Electrical.....1
 - Mechanical.....1
- 3. Packing List.....2
- 4. Dimension.....2
- 5. Installation.....3
 - 5-1. Harness Application.....3
 - 5-1-1. I/O Circuit.....16
 - 5-2. DIP Switch Setting.....17
 - 5-3. Software Download and Upgrade.....17
 - 5-4. USB Setup.....18
- 6. Maintenance.....23
- 7. Trouble Shooting.....24

Use of Materials Limitations

International Currency Technologies Corporation (ICT) all rights reserved.
All materials contained are the copyrighted property of ICT.
All trademarks, service marks, and trade names are proprietary to ICT.

ICT reserves the right at all times to disclose or to modify any information as ICT deems necessary to satisfy any applicable law, regulation, legal process or governmental request, or to edit, refuse to post or to remove any information or materials, in whole or in part, in ICT's sole discretion.

1. Introduction

1-1. Overview

TAO Light is a bill acceptor which is based on the design of PA7/PV7 as features not only outstanding recognition and security module but also USB function which makes high-speed communication under ICT Protocol interface.

1-2. Features

- Four way bill insertion acceptance.
- ICT Protocol available.
- Numerous interfaces available
- Colorful bezel light.
- Bill box capacity as 400, 500, 800 bills are available.

2. Specifications

Common

Acceptance Rate

96% or greater

Identification Time

Approx. 3 seconds
(From bill insert to stack.)

Electrical

Power Source

12V DC ±10%
117V AC ±10%

Power Consumption

50 watts maximum

Mechanical

Bill Capacity

Approx. 400 bills
500 bills
800 bills

Bill Insertion

Four way acceptance

Interface

Pulse
ICT Protocol (USB or RS232)
NISR
5V Enable

Operation Environment

Operation Temperature: 0°C~55°C
Storage Temperature: -30°C~70°C
Humidity: 30%~85RH
(no condensation)

Weight

<1.2kg

Outline Dimension

See Page.2

3. Packing List

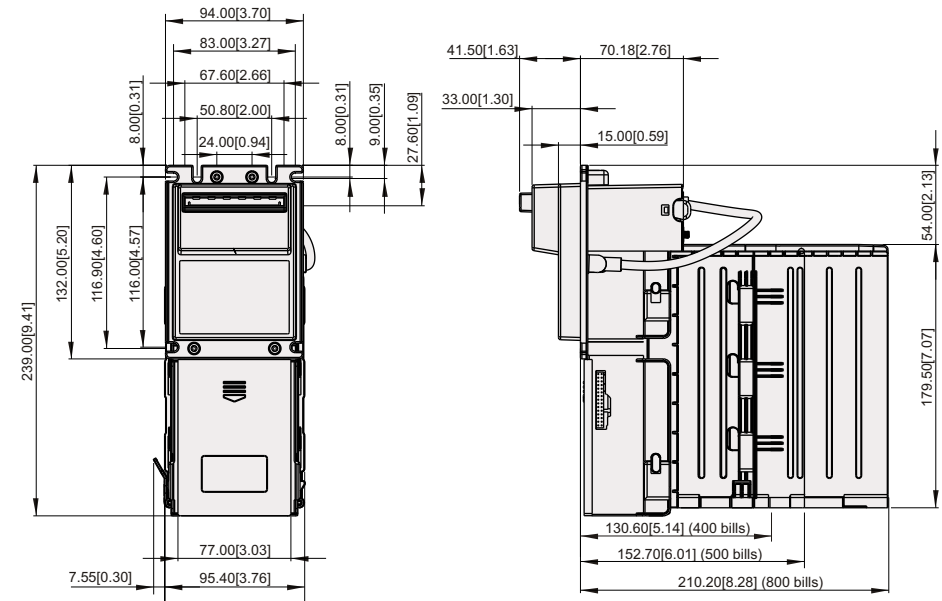
Main

TAO Light Bill Acceptor with Bill Box
(800 bills of bill box will be packed separately.)

Accessory

Harness: See 5-1
TAO Light Installation Guide
TAO Light Switches Setting Guide

4. Dimension



Unit : mm
() : inch

5. Installation

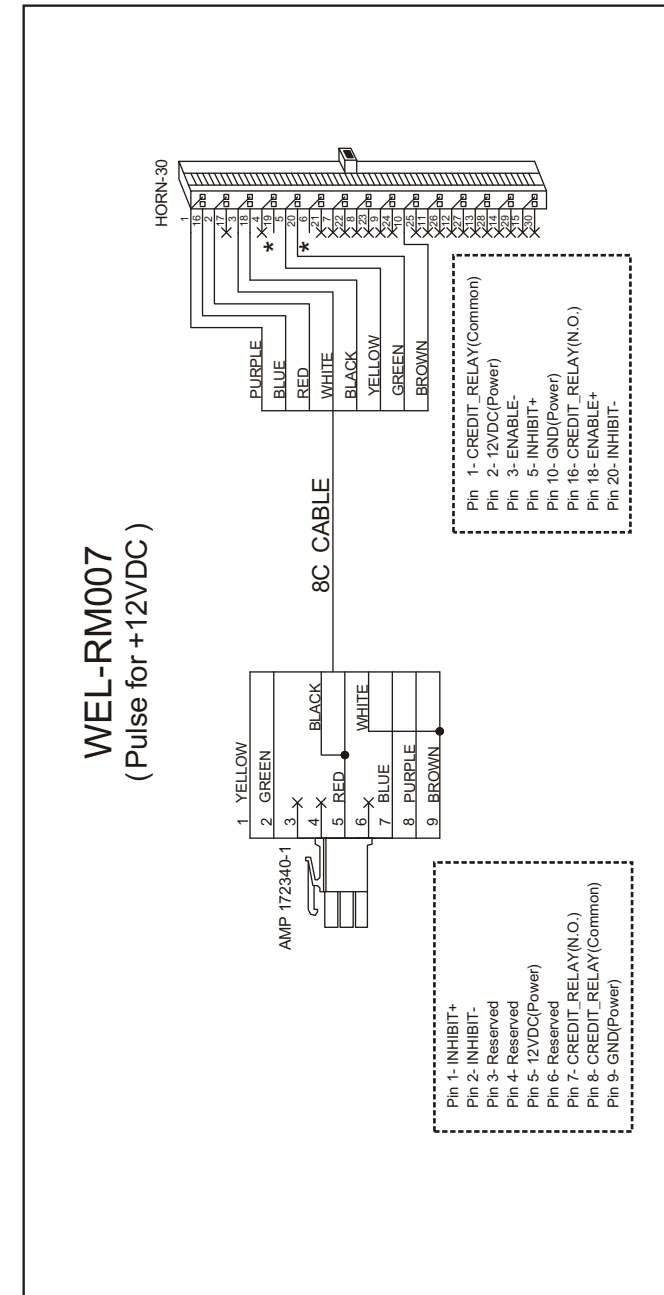
5-1. Harness Application

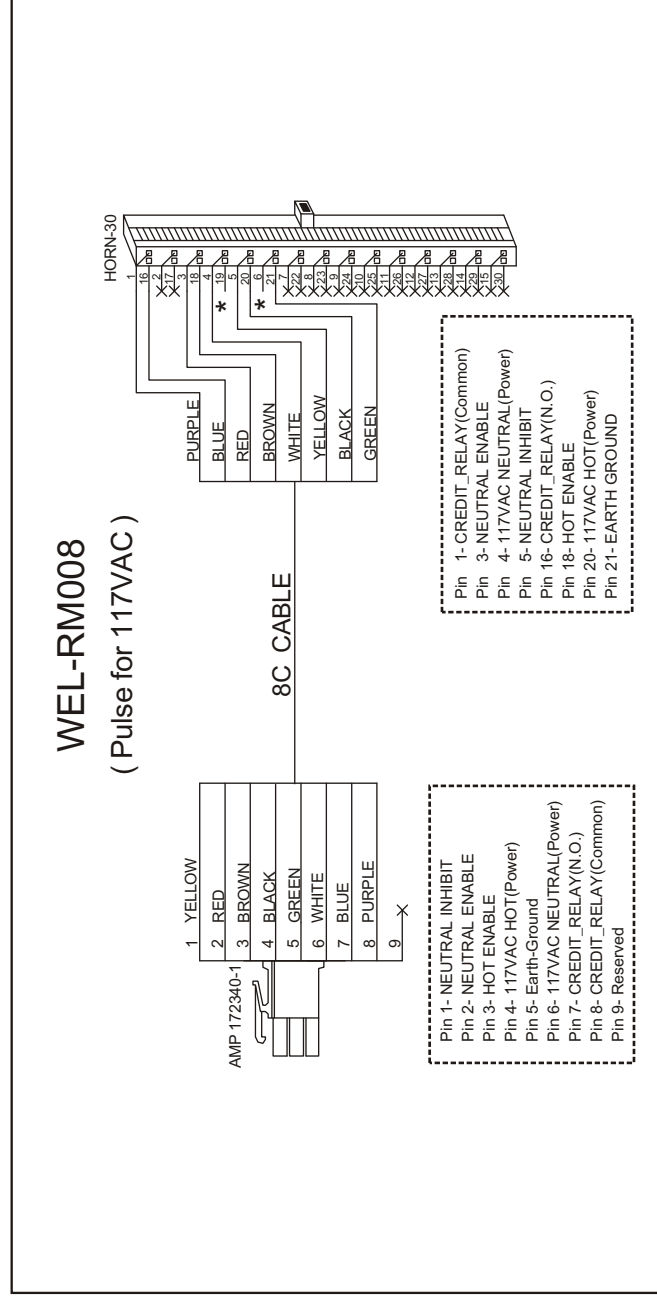
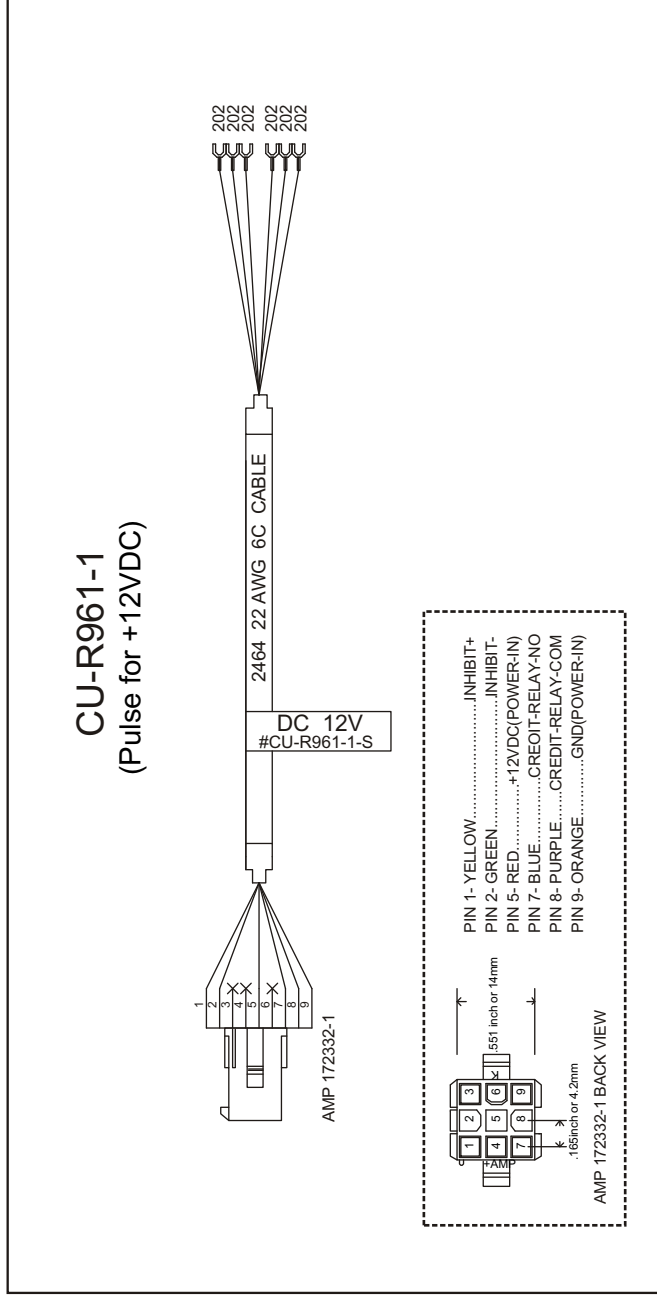
TAO Light Bill Acceptor:

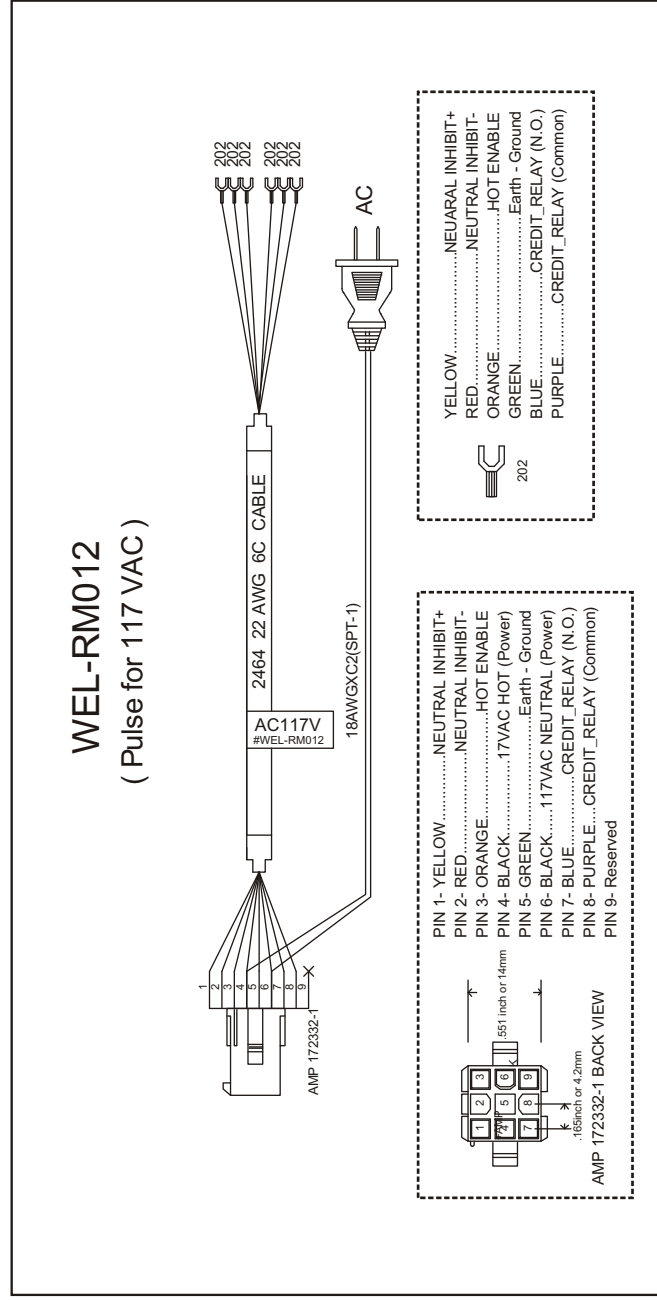
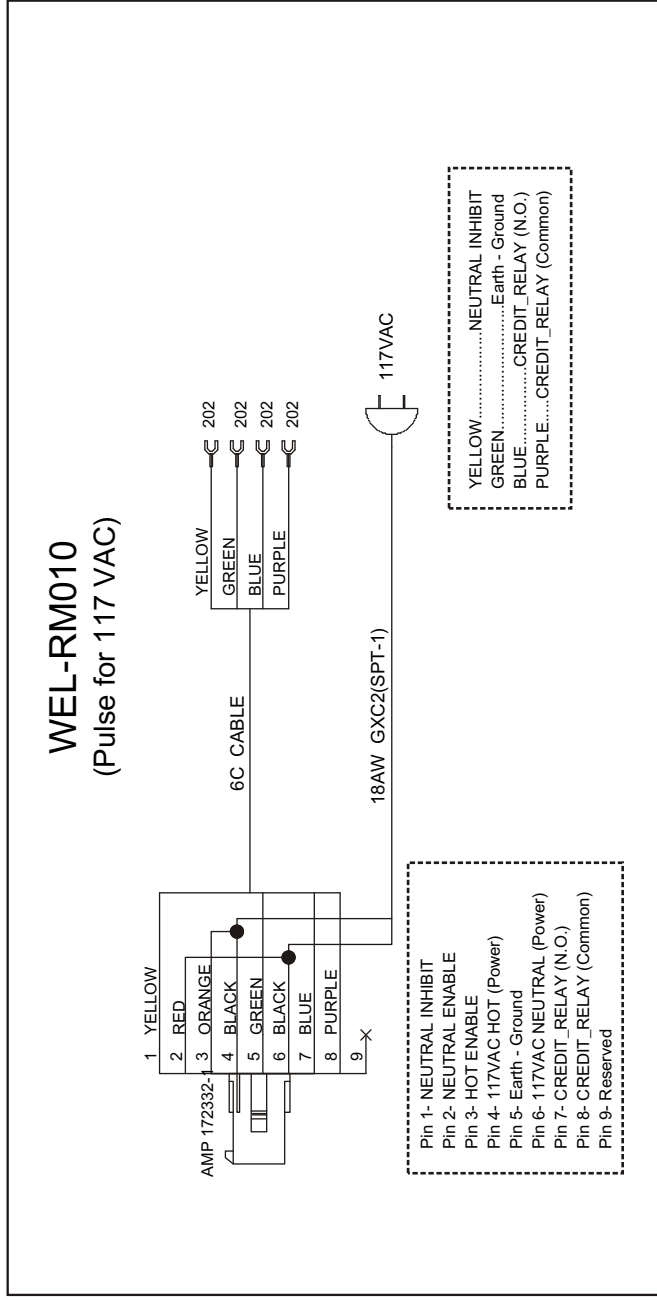
Interface	Used Voltage	Harness	Page	
Pulse	12V DC	WEL-RM007	4	
		CU-R961-1	5	
	117V AC	WEL-RM008	6	
		WEL-RM010	7	
		WEL-RM012	8	
NISR	117V AC	WEL-RM013	9	
Pulse +5V Enable	117V AC	WEL-RM017	10	
		WEL-RM018	11	
ICT Protocol	RS232	5V±12V	WEL-RV706	12
	USB	N/A	WEL-RU1180	13

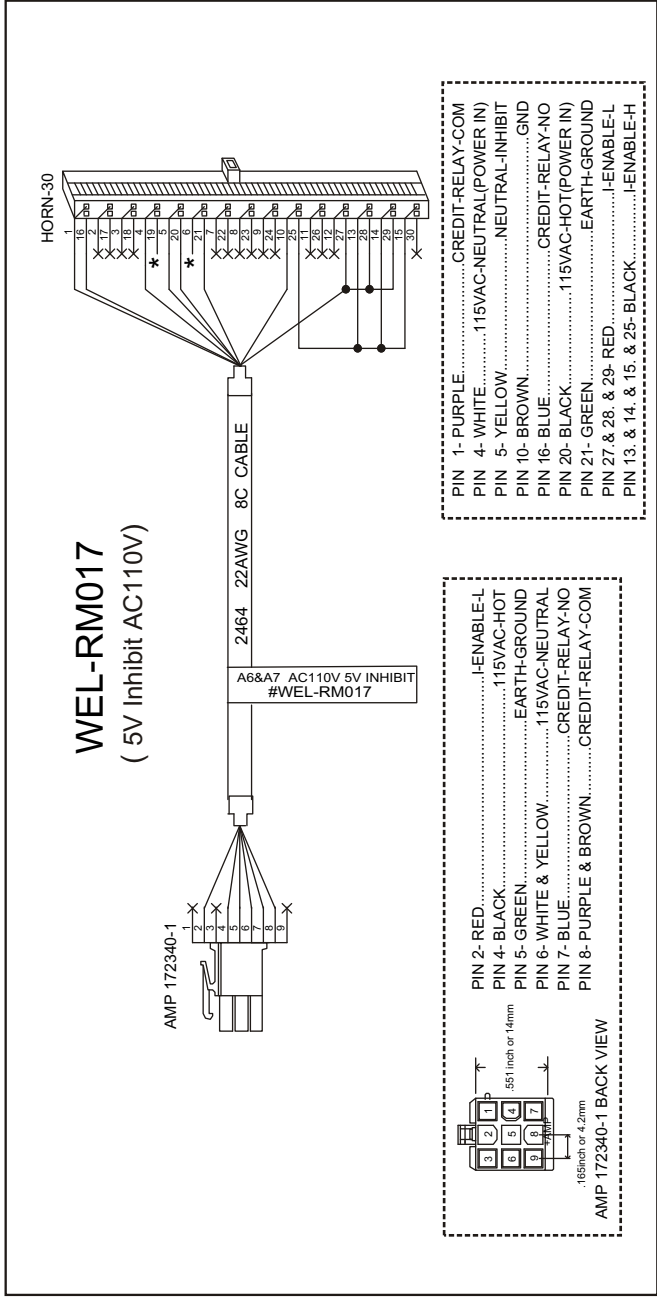
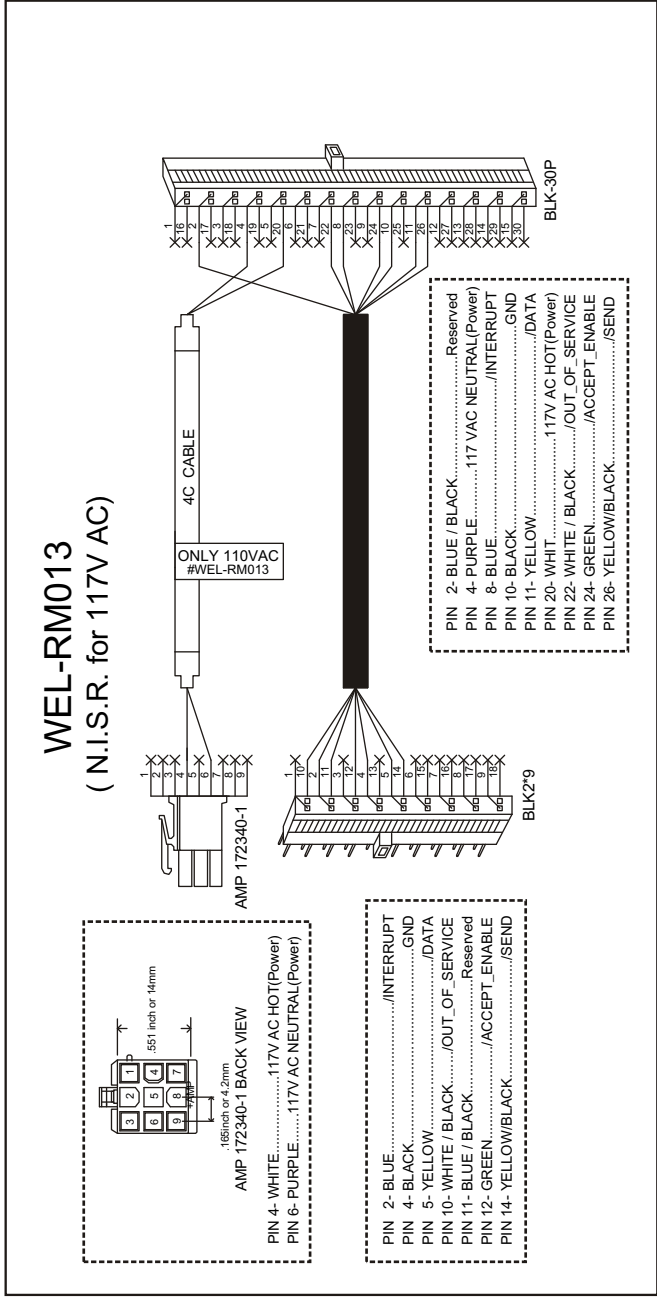
Programmer (Refer to 5-3):

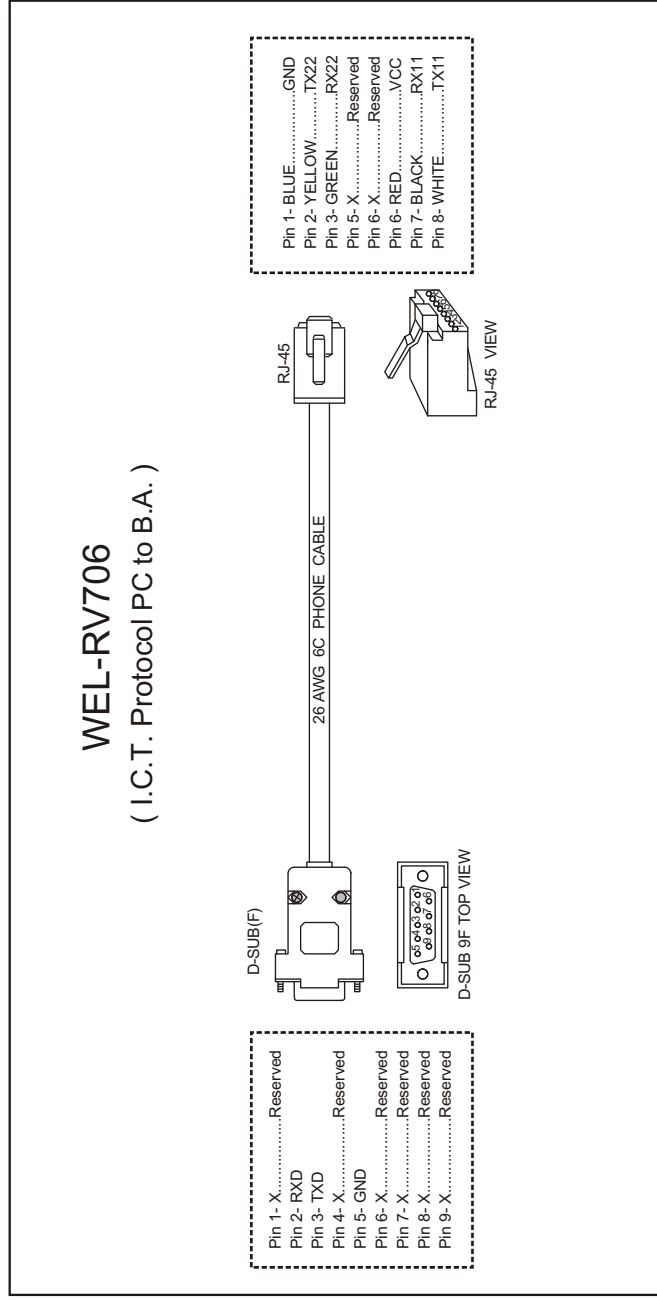
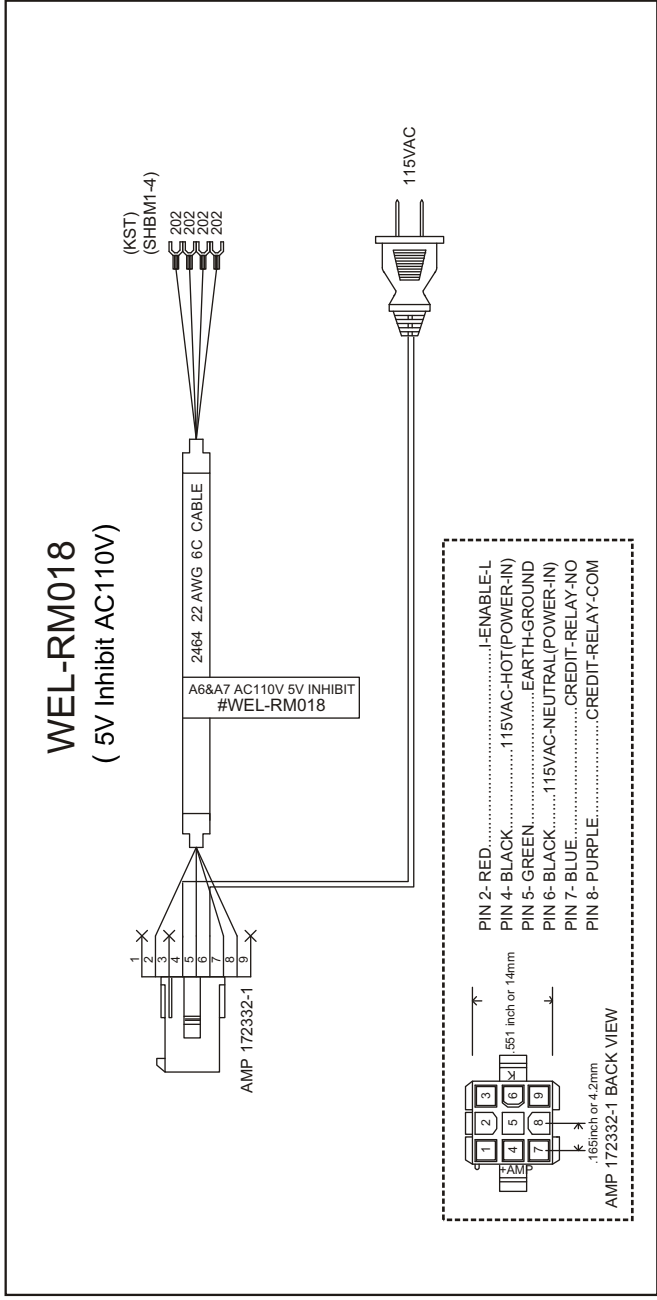
Model	Function	Harness	Page
FP-001	Download & Upgrade	WEL-RM009	14
		WEL-R087	15

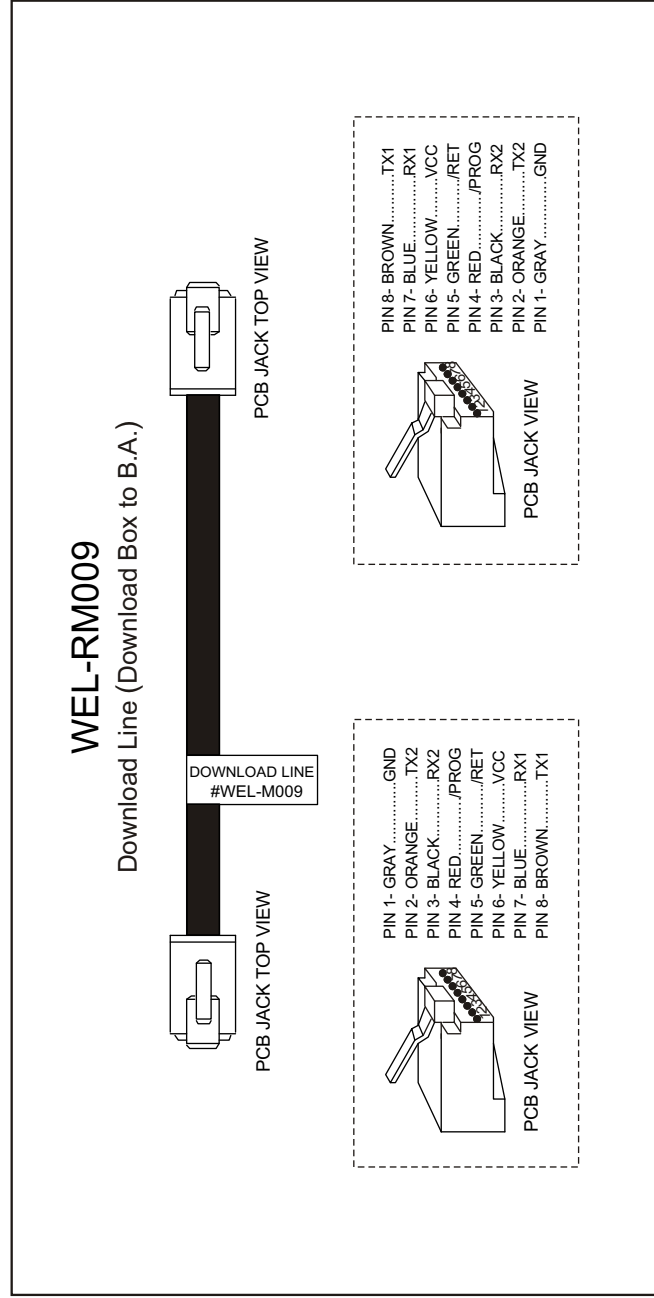
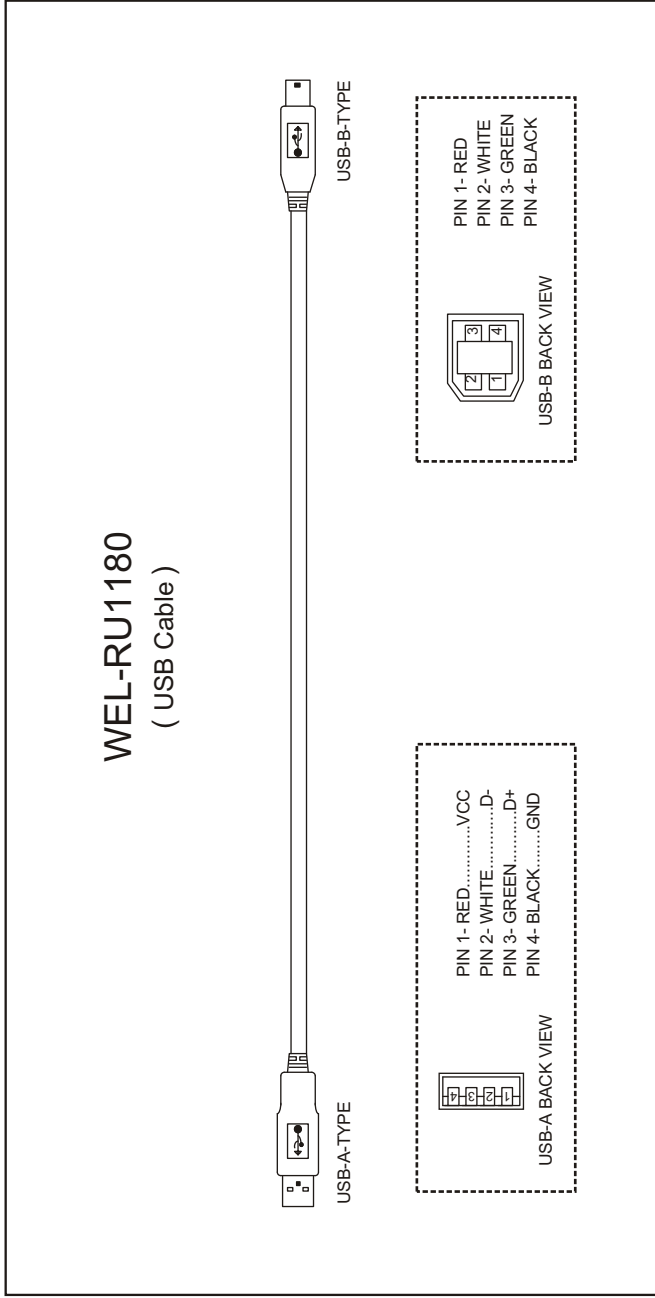


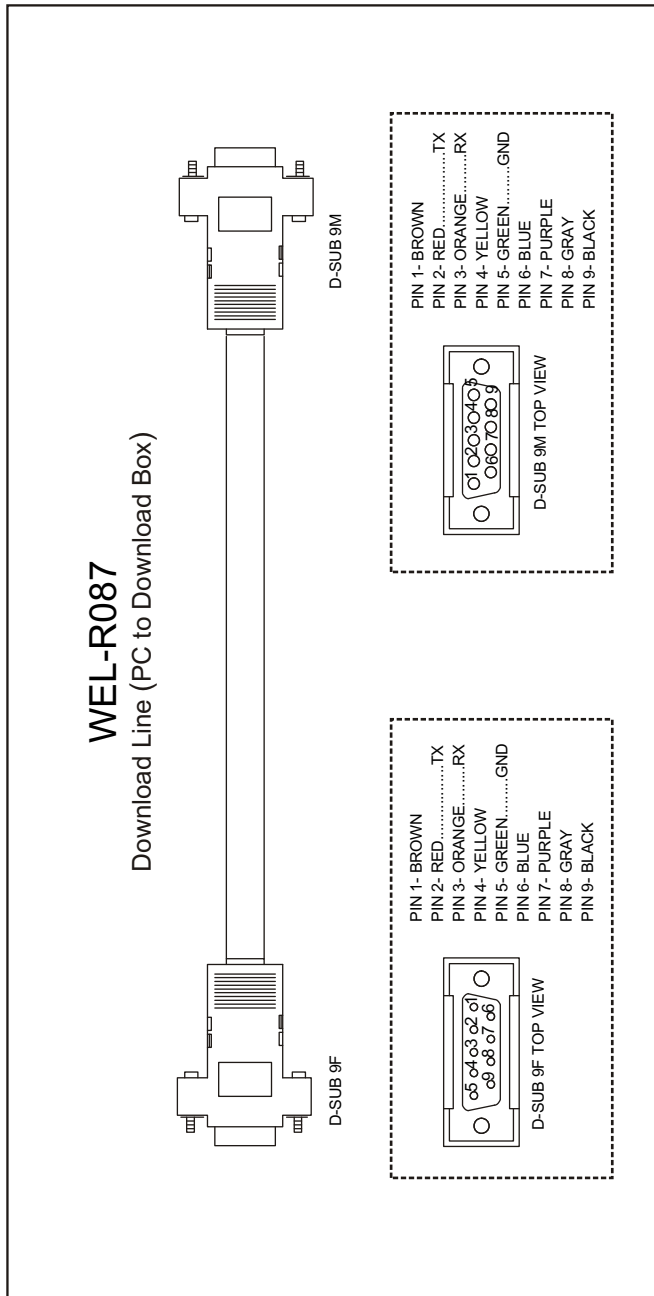






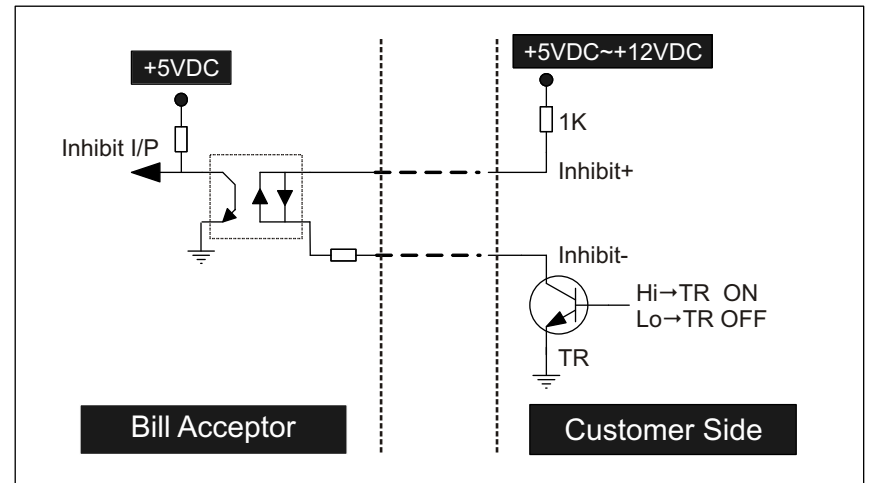
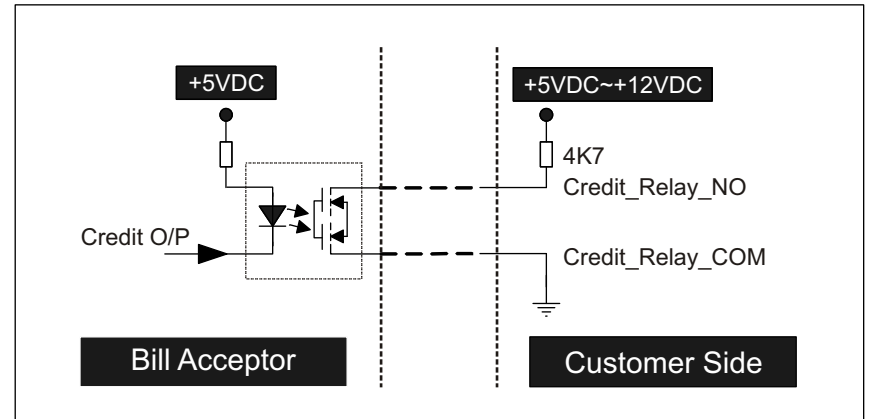






5-1-1. I/O Circuit

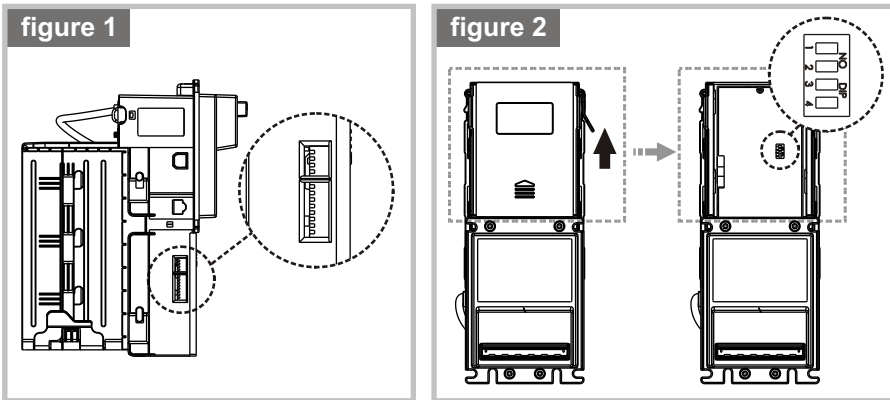
Pulse Interface Customer Recommend Circuit.



5-2. DIP Switch Setting

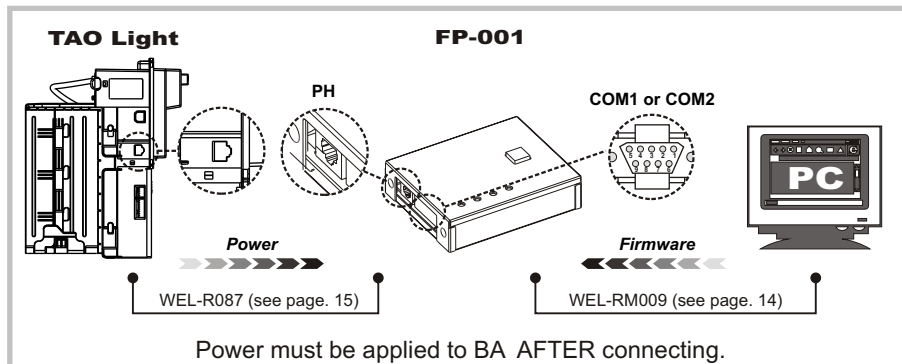
There are two serial DIP switches which are located on the side of TAO Light. (as figure 1). According to different currencies which are used by users, DIP switch settings could be varied to fit users' need. Besides, there's also a serial DIP switches on CPU board inside of TAO Light for interface settings (as figure 2).

Please refer to "TAO Light DIP Switch Setting" Guide in the package for more detail.

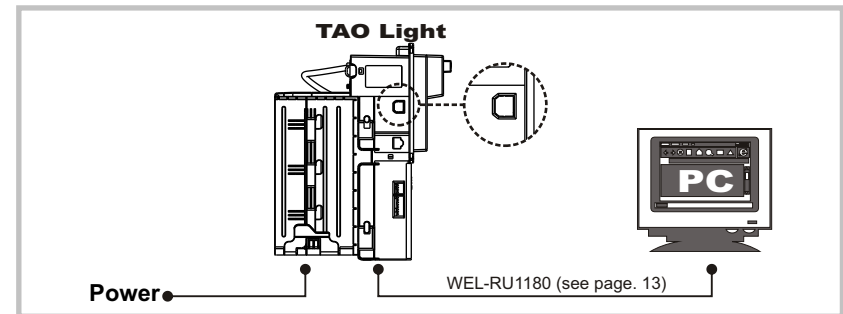


5-3. Software Download and Upgrade

To download and upgrade the software to TAO Light, the programmer (FP-001) is needed. Please contact ICT to purchase FP-001 and refer to FP-001 user guide for software download and upgrade information.



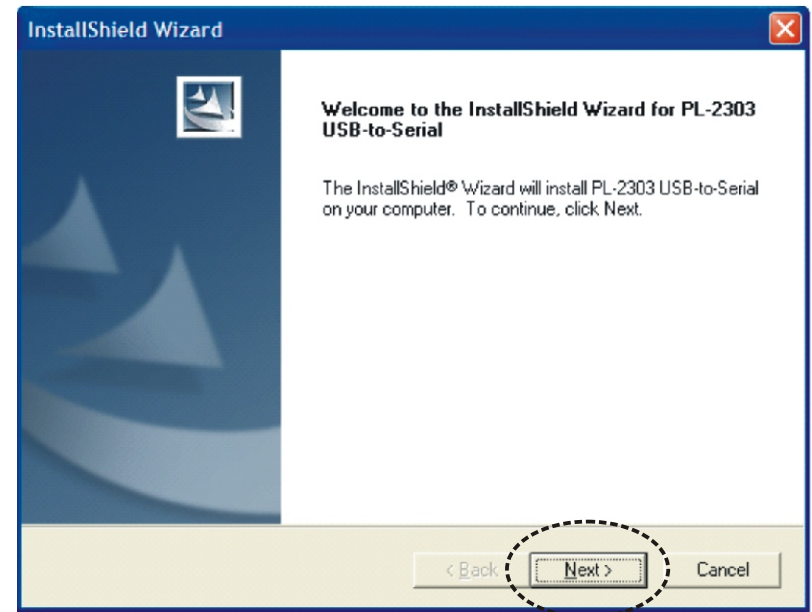
5-4. USB Setup



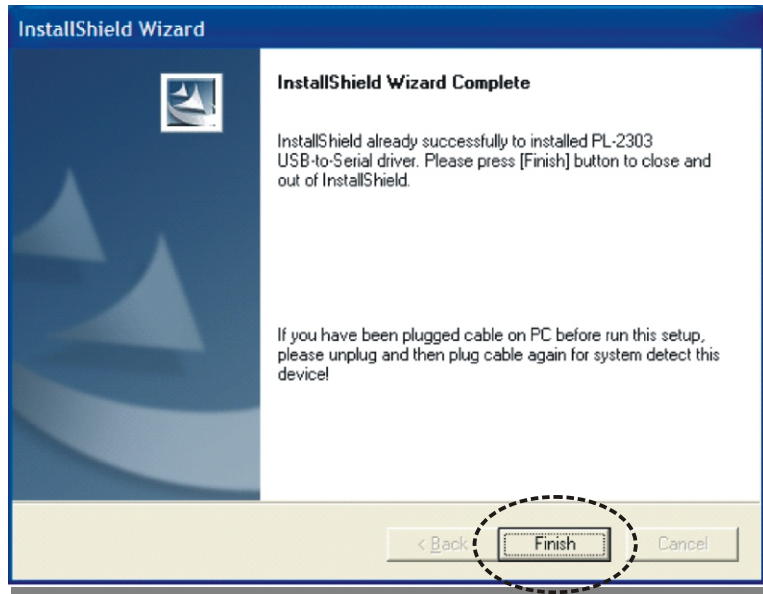
1. Connect BA to PC and then apply power to BA.
2. Start "PL-2303 Driver Installer".



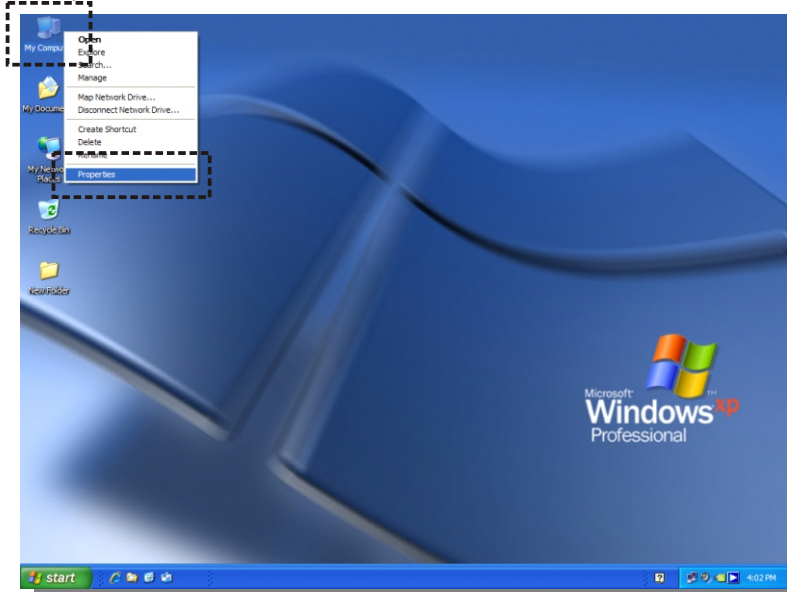
3. Click "Next" to continue.



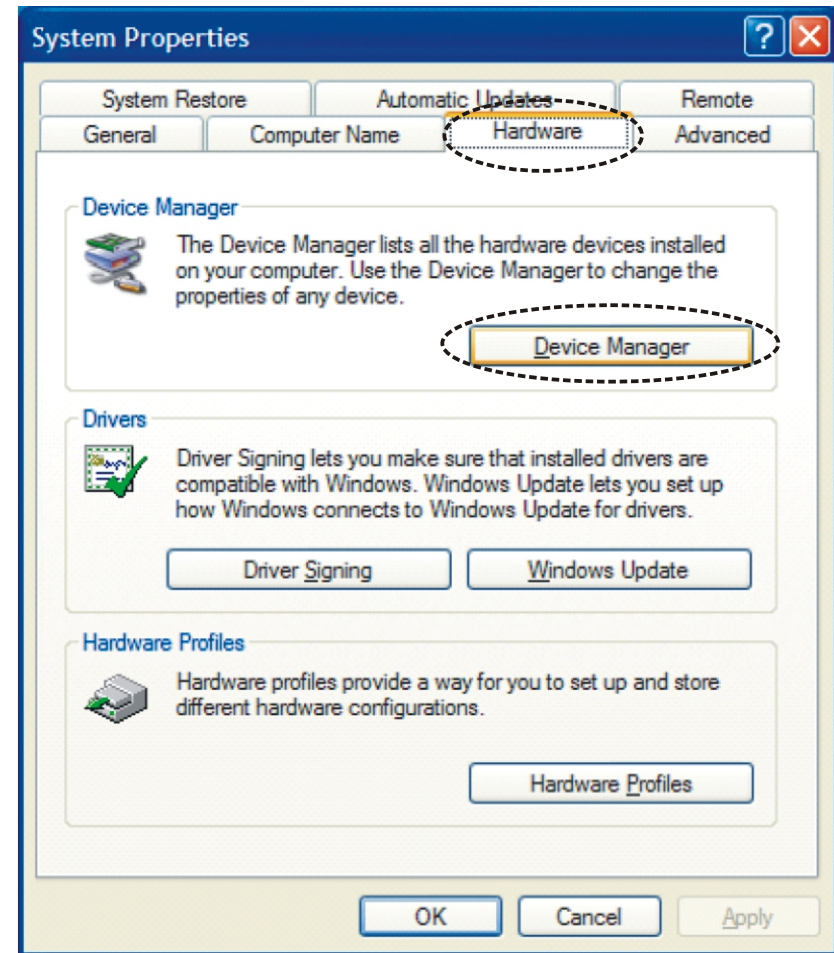
4. Click “Finish” to complete installing.



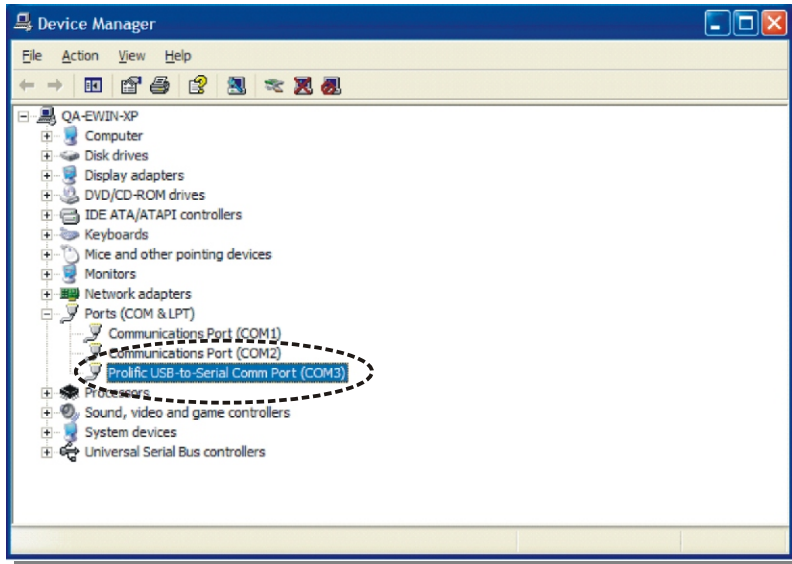
5. Press the right button of mouse on “My Computer”, and then choose “Properties”.



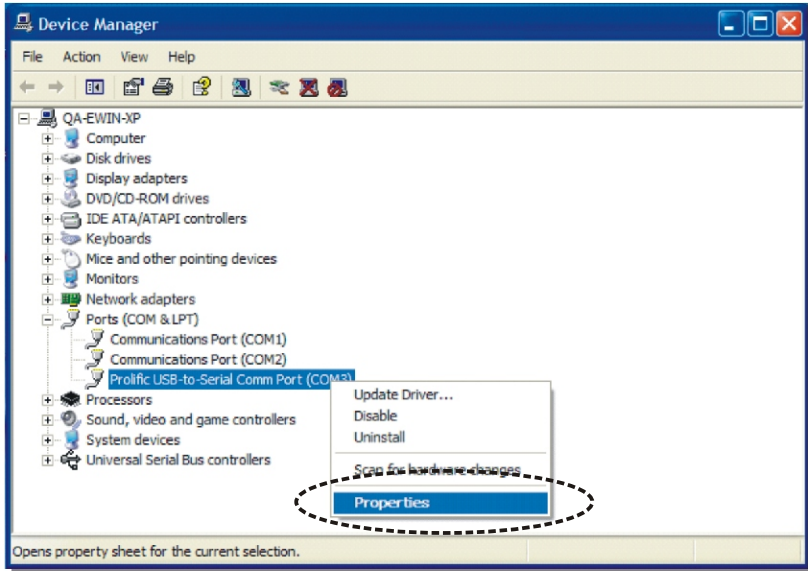
6. Click “Device Manager” on “Hardware” of “System Properties”.



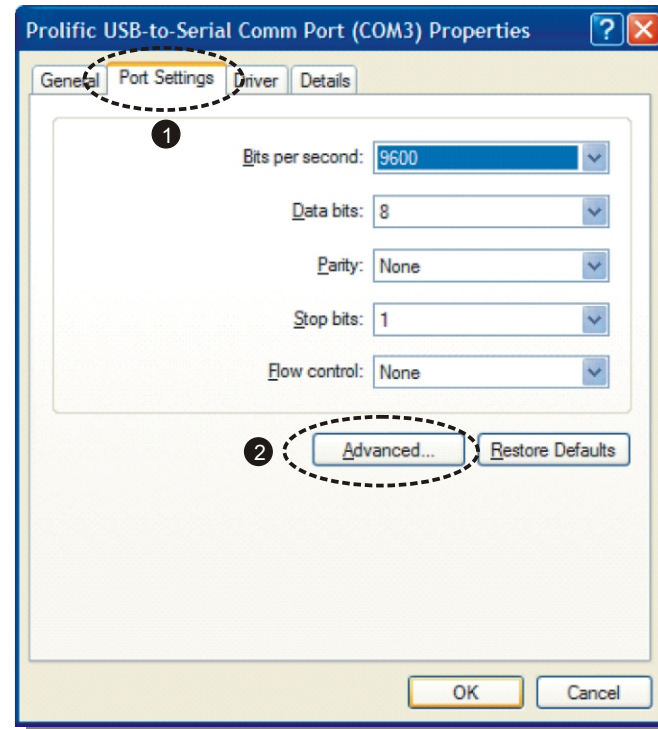
7. Click “Prolific USB-to-Serial Comm Port” under “Ports (COM & LPT)”.



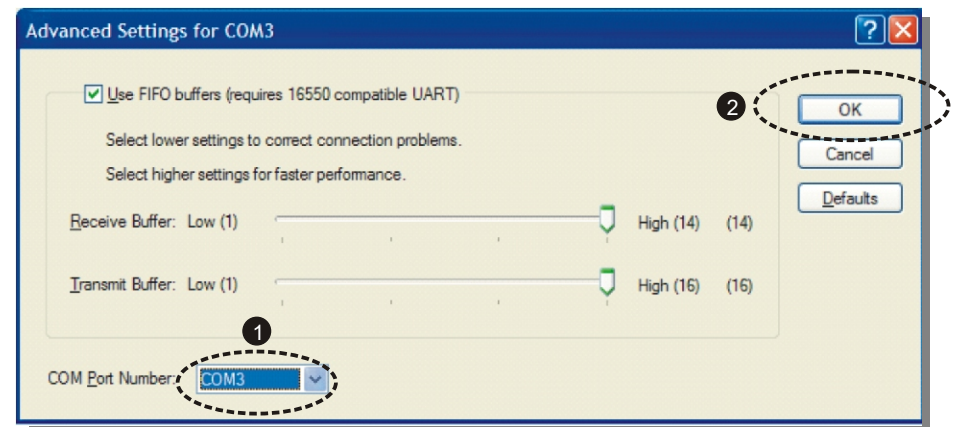
8. Press the right button of mouse on “Prolific USB-to-Serial Comm Port” and choose “Properties”.



9. Click “Advanced” under “Port Settings”.



10. Choose “COM Port Number”, and then click “OK” to complete setup.

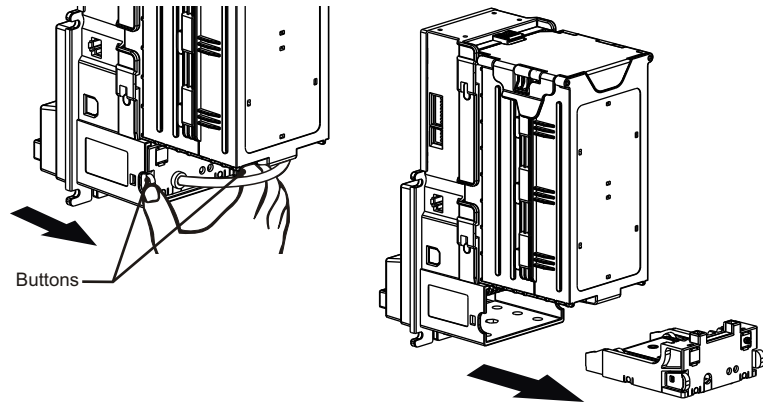


6. Maintenance

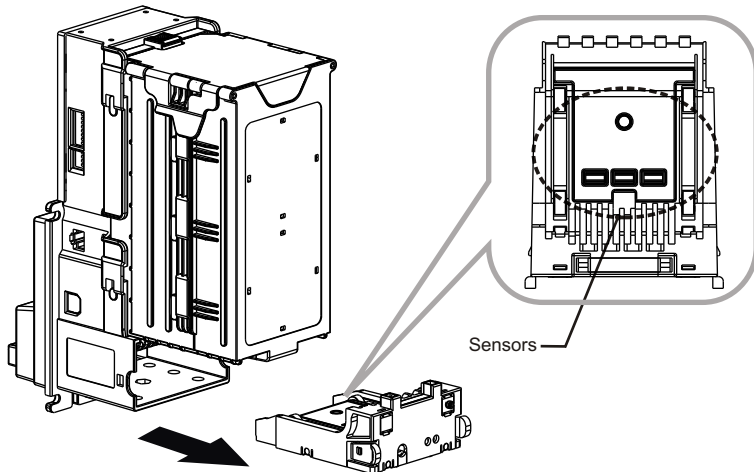
To make sure the bill acceptor always works smoothly, please clean the internal parts every two weeks to every two months.

To clean the internal parts:

1. Press the buttons on the sides of bill path unit and pull the unit out.

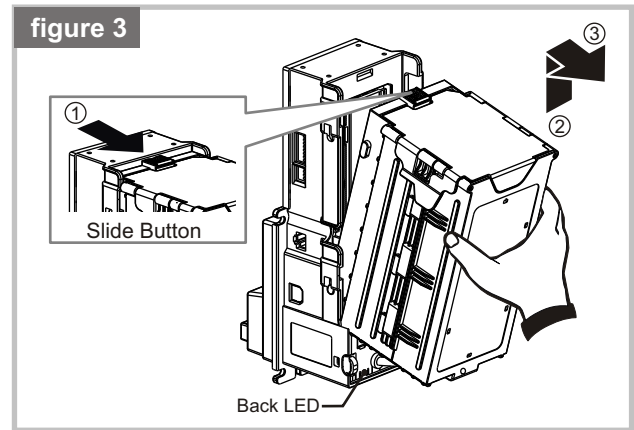
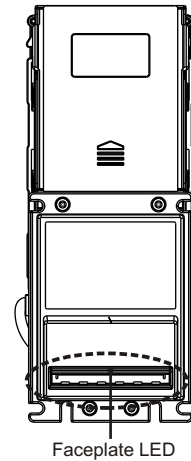


2. Use a soft, dry cloth or towel to clean the bill path and sensors.



Do not use an organic solvent such as gasoline or paint thinner to clean the unit.

7. Trouble Shooting



LED Flashes	Status	Corrective Actions
1	Bill jammed.	Remove the bill box by sliding the top button (as figure 3) and the bill path unit, and then remove the jammed bill.
2	Inhibit on.	Inspect for right DIP switch settings.
3	Sensor error.	Inspect for foreign objects on sensor and hook then clean.
4	Stringing attempt has detected.	Inspect for foreign objects on sensor or bill path and clean.
5	Stacker has been removed.	Replace the bill box.
7	Motor error.	Inspect for foreign objects on bill path and clean.
8	Stacker full or error.	Inspect for foreign objects in bill box or remove bills in bill box.



If the error can not be solved after corrective actions or happen again, please contact ICT for technical support.

ict Taiwan

International Currency Technologies Corporation

Ji-Hong Building, No 24, Alley 38, Lane 91, Nei-hu Rd., Sec. 1,
Taipei, Taiwan, R.O.C.

Tel: 886-2-2797-1238 Fax:886-2-2797-1634

sales@ictgroup.com.tw (For Sales)

rma@ictgroup.com.tw (For Customer service)

Website:www.ictgroup.com.tw